

COMPLIANCE WITH STANDARDS

EN 60598-1 - EN 60598-2-4 - EN 60598-2-5

MATERIALS AND FINISHINGS

Casing:	die-cast aluminium
Power supply box:	polyamide - Glow Wire Test: 650°C
Painting:	polyester powder, colour graphite or white
Dish:	99.85 polished anodised aluminium
Shield:	tempered glass - impact resistance: 7 J
Sealing gaskets:	silicone
External nuts and bolts:	stainless steel

WIRING

Lampholder:	ceramic
Power supply terminal:	2-pole polyamide for cables with section 2.5 mm ²
Cables:	flexible insulating in PTFE
Power supply cable for portable versions:	section 3x1.5 mm ² type H07RN-F with plug IEC 309 16A 2P + $\frac{1}{2}$ 200-250V - IP 67

EQUIPMENT AND ACCESSORIES

Bracket:	painted galvanised steel
Tubular stand:	painted steel
Adjustable telescopic stand:	painted steel
Cable gland:	technopolymer PG 13.5 for cables Ø 9-12.5 mm
Packaging:	corrugated cardboard

BEHAVIOUR WITH CHEMICAL AND CORROSIVE AGENTS*

Water	Marine climate	Acids	Bases	Ketones	Spirits	Silicone oil	Oils/Fats	Petrol
Resistant	Limited resistance	Limited resistance	Limited resistance	Resistant	Resistant	Resistant	Resistant	Resistant

* Values referred to polyester painted aluminium. For behaviour with other chemical agents, see the "General technical information" section.

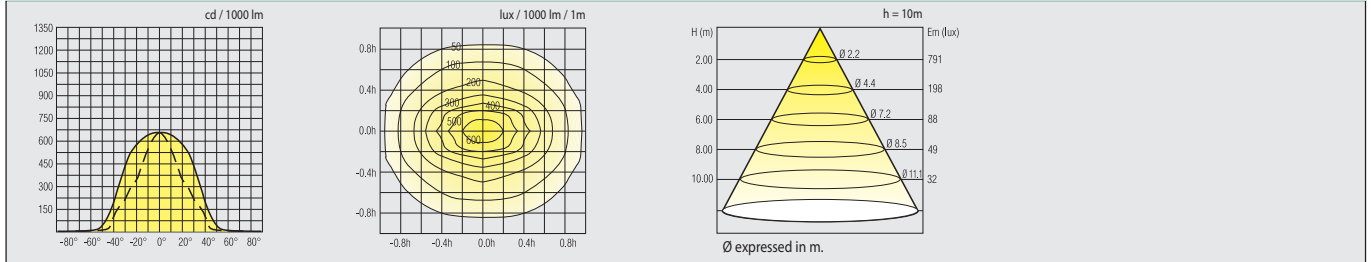
GENIUS RANGE

MULTIFUNCTION FLOODLIGHTS FOR FIXED OR PORTABLE APPLICATIONS

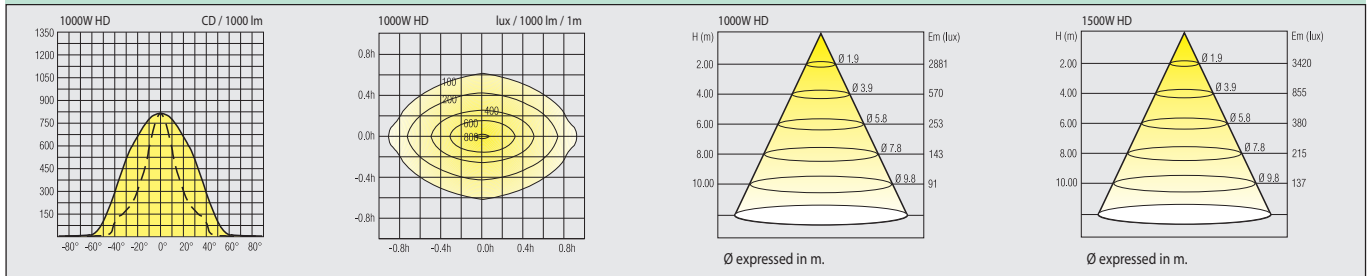


PHOTOMETRIC CURVES

SYMMETRICAL DIFFUSED OPTICS 500W HD

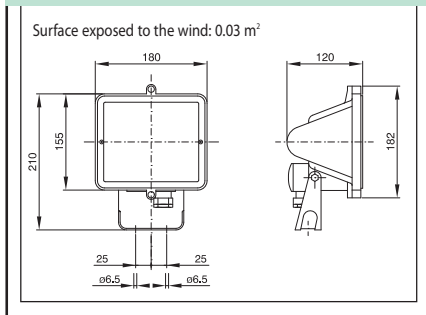


SYMMETRICAL DIFFUSED OPTICS 1000/1500W HD

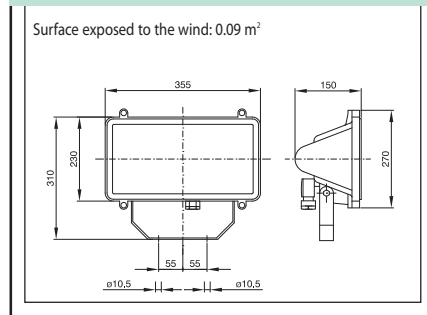


DIMENSION TABLES

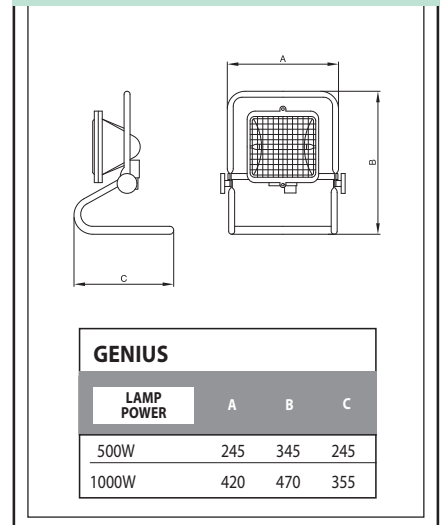
GENIUS 500W



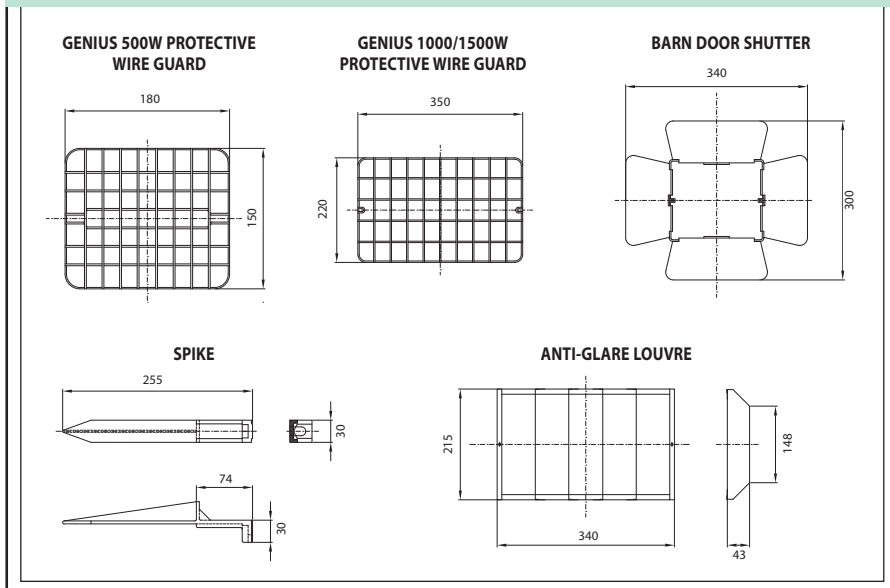
GENIUS 1000/1500W



500/1000W PORTABLE GENIUS



COMPLEMENTARY ITEMS



TELESCOPIC GENIUS

