

# URANO RANGE

COMPACT ASYMMETRICAL FLOODLIGHTS FOR INTERNAL AND EXTERNAL USE



## COMPLIANCE WITH STANDARDS

EN 60598-1 - EN 60598-2-5

## MATERIAL AND FINISHINGS

Casing:	die-cast aluminium
Corrosion-proof treatment:	"ALODINE 1200" chromate treatment
Painting:	polyester powder, colours aluminium, graphite grey or white
Dish:	aluminium 99.85 polished and anodised
Shield:	tempered glass - impact resistance 8J
Sealing gasket:	silicone
Screws:	stainless steel

## WIRING

Supply unit:	internal on galvanised steel plate
Lampholder:	ceramic
Supply terminal:	3-pole in polyamide for cables with section 2.5 mm <sup>2</sup>
Cables:	flexible with silicone insulation and glass fibre braid
Cosφ:	≥ 0.9

## EQUIPMENT AND ACCESSORIES

Bracket:	painted galvanised steel
Cable gland:	technopolymer PG 13.5 for cables Ø 6.5 - 11.5 mm ATEX versions in steel
Packaging:	corrugated cardboard

## BEHAVIOUR WITH CHEMICAL AND CORROSIVE AGENTS\*

Water	Marine climate	Acids	Bases	Ketones	Spirits	Silicone oil	Oils/Fats	Petrol
Resistant	Limited resistance	Limited resistance	Limited resistance	Resistant	Resistant	Resistant	Resistant	Resistant

\* Values referred to polyester painted aluminium. For behaviour with other chemical agents, see the "General technical information" section.

## ATEX CLASSIFICATION FOR URANO ARTICLES

70W version: II 3GD Ex nA 490°C - tD A22 IP55 T108°C -20°C ≤ Ta ≤ +25°C - 230V 50Hz  
 150W version: II 3GD Ex nA 600°C - tD A22 IP55 T165°C -20°C ≤ Ta ≤ +25°C - 230V 50Hz

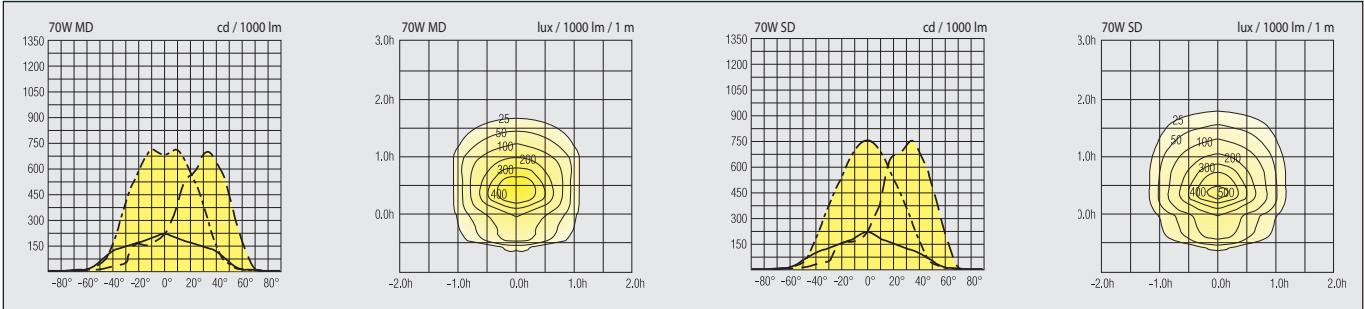
# URANO RANGE

COMPACT ASYMMETRICAL FLOODLIGHTS FOR INTERNAL AND EXTERNAL USE

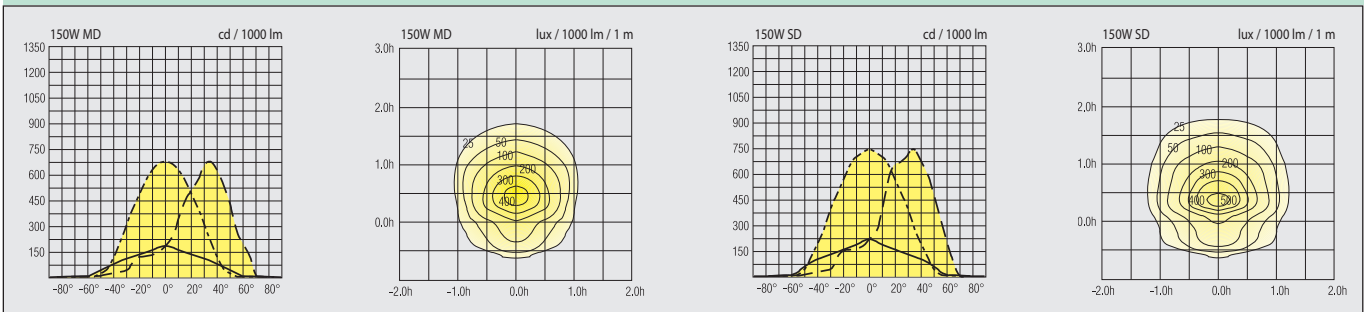


## PHOTOMETRIC CURVES

### ASYMMETRICAL OPTICS 70W MD/SD



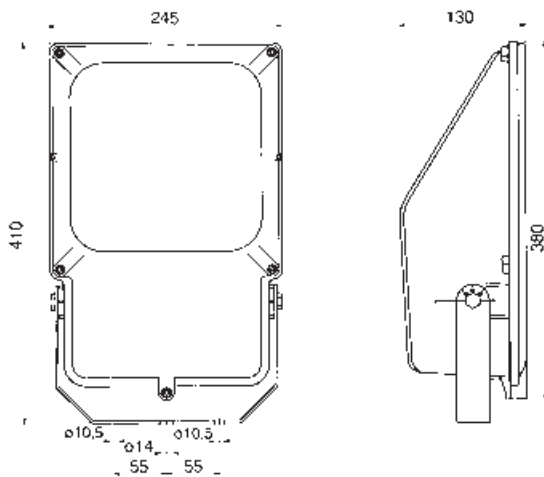
### ASYMMETRICAL OPTICS 150W MD/SD



## DIMENSION TABLES

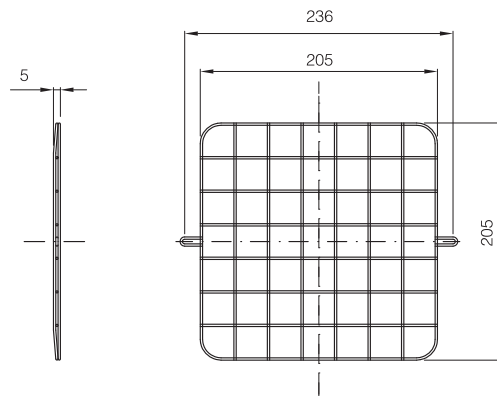
### URANO

Surface exposed to the wind: 0.094m<sup>2</sup>



### COMPLEMENTARY ITEMS

Protective wire guard



URANO RANGE