

New Innovative Range / Special Prices



***SPECIAL PRICES

GW 70431 - 2P 16A IP69 - €15.27

GW 70432 - 3P 16A IP69 - €15.17

GW70433 - 4P 16A IP69 - €14.09

GW70434 - 2P 32A IP69 - €16.83

GW 70435 - 3P 32A IP69 - €16.19

GW70436 - 4P 32A IP69 - €15.73

GW70437 - 3P 63A IP69 - €26.70

GW70438 - 4P 63A IP65 - €26.97

Reduce your installation time by choosing the ultimate solution in terms of safety and strength, with the new range of isolators from 16A to 160A. Available in both plastic or metal boxes, 70 RT HP is ideal for all industrial installations, designed even for the most heavy-duty applications.

Main advantages of 70 RT HP



Total protection

The devices offer the innovative and unique degree of protection with IP66/IP67/IP69 that protect the product from dust and liquid ingress. 70 RT HP switch isolators are also suitable for the most demanding applications, thanks to their high level of mechanical resistance.



Quick assembly

The plastic front of 70 RT HP devices is fixed with just four quarter-turn captive screws; a simple, innovative system to fix or remove the front much more quickly than any other systems available on the market.



Versatile and innovative

More technical features have been introduced to this range: with dual metric entry points top and bottom, external fixing points for surface-mounting, plenty of internal space for cable wiring. Optional N/O N/C auxiliary contacts to make them suitable for a wide variety of applications.



Robust and reliable

The metal box versions (IP66) are made from painted aluminium alloy, offering high levels of performance over time, even in the most challenging conditions. The devices are also available in ATEX versions up to 100A for explosive atmospheres.

Tel: 01 4503800 Email: sales@derrywood.com

Visit www.gewiss.com and follow us on:



 **derrywood agencies**
& Distributors Ltd



Indoor applications



Outdoor applications

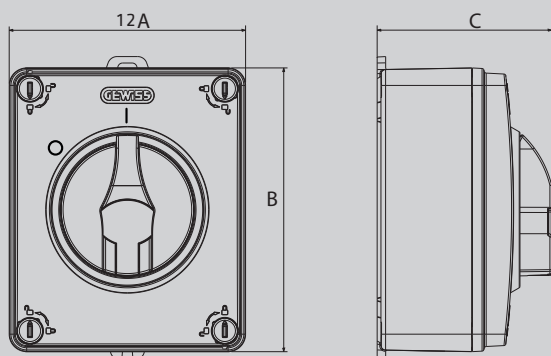


ATEX applications

Rated current			16A	25A	32A	40A	63A	80A	100	125	160	
Rated insulation voltage U_i		VAC	690	690	690	690	690	690	1000	1000	1000	
Rated impulse withstand voltage U_{imp}		kV	4	4	4	4	4	4	8	8	8	
Thermal current I_{th}/I_{the}		A	16	25	32	40	63	80	100	125	160	
Rated operational current IEC	AC21A Resistive loads, including moderate overloads	415V	A	16	25	32	40	63	80	100	125	160
	AC22A Mixed resistive and inductive loads, including moderate overloads	415V	A	16	25	32	40	63	80	100	125	160
	AC23A Switching of motor loads or other highly inductive loads (3 phases/3 poles)	415V	A	16	25	32	40	63	80	100	125	125
	AC3 Squirrel-cage motor: starting, switching off motor during running (3 phase / 3 pole)	415V	A	16	25	32	32	63	63	100	125	125
Rated short time withstand current I_{cw} (1s)		A	160	250	320	400	630	800	2500	2500	2500	
Conditional short circuit current		KA _{eff}	10	10	10	10	6	6	50	50	50	
Associate fuse size for conditional short circuit current - Type gG		A	16	25	32	40	63	80	100	125	160	

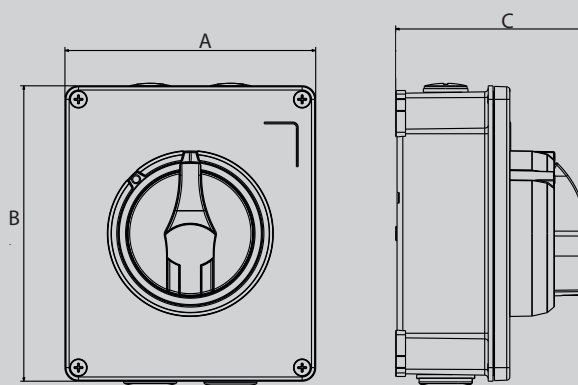
Discover the full 70 RT HP range on the website at www.gewiss.com

Switch isolators with plastic box



Version	A (mm)	B (mm)	C (mm)
16-25-32-40A	125.0	150.0	92.3
63-80A	156.0	200.0	118.8
100-125-160A	236.5	316.0	219.7

Switch isolators with metal box



Version	A (mm)	B (mm)	C (mm)
16-25-32-40A	140.6	165.6	105.7
63-80A	214.8	251.8	133.0
100-125-160A	257.2	307.2	163.1

Tel: 01 4503800

Email: sales@derrywood.com

Visit www.gewiss.com and follow us on:



derrywood agencies
& distributors Ltd