

Javier

Post Top, Lantern



An IP65 grey die-cast aluminium base, clear prismatic polycarbonate diffuser, steel cover and plated steel gear tray. Suitable for walkways, car parks, retail and public areas.

Attractive modern design

IP65 ingress protection

Robust aluminium casing with powder coated finish

Prismatic polycarbonate diffuser^o

50,000 hours life

HILCLARE

LIGHTING MANUFACTURER

— LED BY DESIGN —

a  pilot group company

T: 0161 274 3626
F: 0161 274 3731
E: sales@hilclare.com

15 Carnarvon Street
Manchester
M3 1HJ

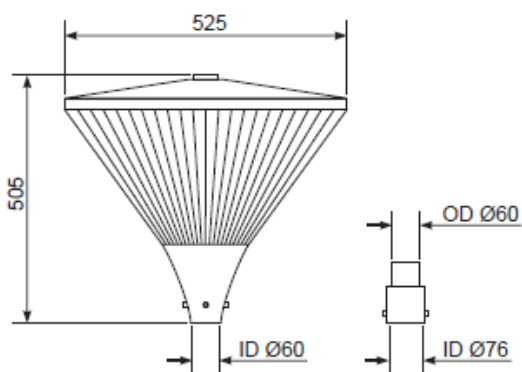
Ordering Information

	Code	Weight (kg)	Total Watts	Total Lumens	Luminaire Efficacy	IP Rating	Life	Warranty
50W	PTJ50VS40	7.5	50	4085	71	IP55	50,000hr	5 year

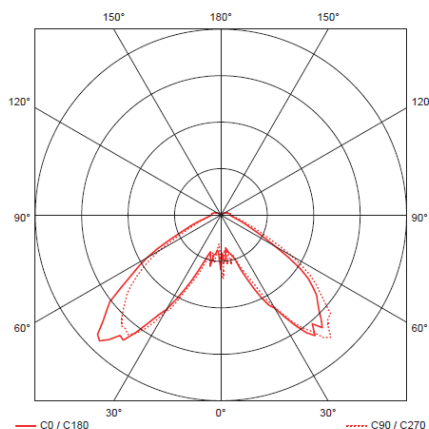
Code Builder

Photocell - Add P

Dimensions



Photometrics



Classification of Protection

Against electric shock Class 1 protected with earthed metalwork. Against ingress of dust and moisture IP65 Technical Specification.

Specification

An IP65 grey die-cast aluminium base, clear prismatic polycarbonate diffuser, steel cover and plated steel gear tray. Suitable for walkways, car parks, retail and public areas.

Standards

The Javier range of luminaires is designed and manufactured to meet the requirements of BSEN 60598 2-1

Operations

Designed for operation in an exterior environment. Ambient temperature range: -20°C to +30°C for all versions. 230V 50Hz nominal input voltage.

Version 1 October 2018

HILCLARE

LIGHTING MANUFACTURER

— LED BY DESIGN —

a  pilot group company

T: 0161 274 3626
F: 0161 274 3731
E: sales@hilclare.com

15 Carnarvon Street
Manchester
M3 1HJ

E&OE